

C1005B-Series

Thermal Circuit Breaker

PRODUCT WEBPAGE

request sample, configure part



Combination Switch & Thermal Circuit Protector

Streamlining both switch and circuit protector into a single package, the C1005B-Series snaps into an industry standard .550 x 1.125 mounting hole to reduce wiring costs and save panel space. This single pole combination device is available with lighted or unlighted rocker actuator and rated from 7 to 16 amps, 125/250VAC, 32VDC with 1,000 AIC.

| | | | |
|----------|-------------|----------------|-----------|
| 1 | 7-16 | 125-250 | 32 |
| Pole | Amps | VAC Max | VDC Max |

Typical Applications

- Household & Commercial Appliances
- Power Strips and Supplies
- Generators
- On/Off-Highway
- Marine
- Telecom
- Audio-Visual Equipment
- Medical Equipment

Ordering Scheme

Sample Part Number **C1005B - 3 B 15 1 B R 3**

Selection 1 2 3 4 5 6 7 8

1. SERIES

C1005B

2. ILLUMINATION

2 Non-Lighted **3** Lighted

3. TERMINATION

A Solder Lug **B** .250 Tab

4. CURRENT RATING (AMPERES)

| | | |
|-------------------|-------------------|-------------------|
| 07 7 amps | 11 11 amps | 15 15 amps |
| 08 8 amps | 12 12 amps | 16 16 amps |
| 09 9 amps | 13 13 amps | |
| 10 10 amps | 14 14 amps | |

5. CONTACT MATERIAL ¹

1 Silver Cad Oxide (switch), Silver plated copper (breaker)

6. BEZEL LEGEND IMPRINT

B Black Bezel with white legend
W White Bezel with black legend
C Gray Bezel with black legend

7. ROCKER COLOR

R Red
G Green
U Blue
T Clear

Note: RESET OFF Legend is standard.

8 LAMP VOLTAGE

3 Neon Lamp 125/250 VAC **9** Non-lighted

Notes:

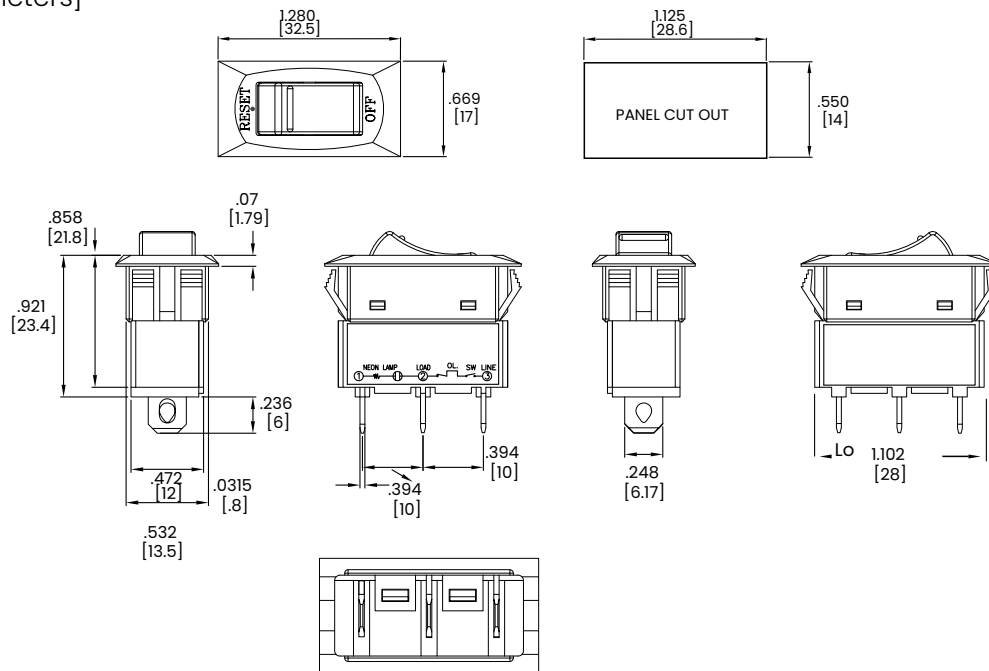
1. Silver cad oxide switch and breaker contacts are available as a special order. Specify 3 for selection 5

[Configure Complete Part Number >](#)

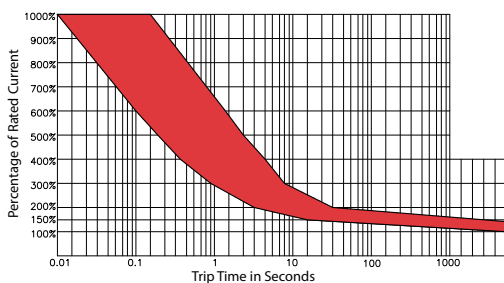
[Browse Standard Parts >](#)

Dimensional Specs

inches [millimeters]



Time Delay



| Overload | Trip Time |
|----------|-----------------|
| 100% | No Trip |
| 135% | Trip in 1 hr |
| 200% | 4.0 ~ 40 sec. |
| 300% | 0.9 ~ 8.0 sec. |
| 400% | 0.42 ~ 5.0 sec. |
| 500% | 0.25 ~ 3.0 sec. |
| 600% | 0.01 ~ 1.8 sec. |

| Trip Time Factor ¹ | |
|-------------------------------|--------------|
| -10 °C x 1.70 | 30 °C x 0.90 |
| -5 °C x 1.60 | 35 °C x 0.85 |
| 0 °C x 1.50 | 40 °C x 0.80 |
| 5 °C x 1.40 | 45 °C x 0.75 |
| 10 °C x 1.30 | 50 °C x 0.70 |
| 15 °C x 1.20 | 55 °C x 0.65 |
| 20 °C x 1.10 | 60 °C x 0.60 |
| 25 °C x 1.00 | |

Notes:

1. Trip Time factor is a guideline that indicates ambient temperature effect on trip times at various overload values.

Authorized Sales Representatives and Distributors

Click on a region of the map below to find your local representatives and distributors or visit www.carlingtech.com/findarep.



About Carling

Founded in 1920, Carling Technologies is a leading manufacturer of electrical and electronic switches and assemblies, circuit breakers, electronic controls, power distribution units, and multiplexed power distribution systems. With six ISO9001 and IATF16949 registered manufacturing facilities and technical sales offices worldwide, Carling Technologies Sales, Service and Engineering teams do much more than manufacture electrical components, they engineer powerful solutions! To learn more about Carling please visit www.carlingtech.com/company-profile.

To view all of Carling's environmental, quality, health & safety certifications please visit www.carlingtech.com/environmental-certifications.

© Carling Technologies, Inc.

3. Carling is a registered trademark of Carling Technologies, Inc. in the U.S. and other countries.